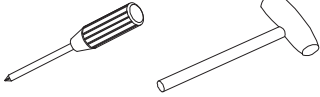


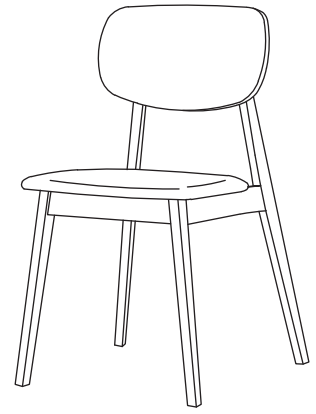
AITHAN

You will also need a rubber mallet and crosshead screwdriver



# Lucio

## Assembly Instructions Aithan Chair

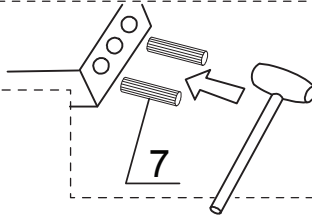


Before assembly please check you have all parts listed below.  
Please assemble on a clean and flat surface, such as carpet or cardboard to prevent scratches (do not assemble on your floor). PLEASE NOTE: We've tried to make this chair as easy to assemble as possible. In the unlikely event you have problems putting it together or missing pieces, please contact us. Details below.

### PARTS LIST

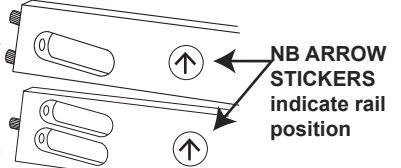
<b>A legs left &amp; right</b> 	<b>B backrest</b> X 1	<b>ASSEMBLY TIP:</b> Assemble complete frame with loosely tightened screws. This allows for adjustments before tightening all screws firmly.		
	<b>C seat</b> X 1	<b>1 JCBC SCREW</b> M6 X 45MM (RB) X 6	<b>2 JCBC SCREW</b> M6 X 35MM (RB) X 2	<b>3 JCBC SCREW</b> M6 X 20MM (RB) X 2
<b>D rail</b> BACK RAIL X 1 FRONT RAIL X 1	<b>4 SPRING WASHER</b> 5/16" (RB) X 10	<b>5 FLAT WASHER</b> X 4	<b>6 SCREW PIN</b> X 6	<b>7 WOOD DOWEL</b> 10 x 30MM X 6
	<b>8 PH M5 X 32MM (BLK)</b> X 4	<b>9 ALLEN KEY (BALL SHAPE)</b> X 1	<b>10 WOOD BUTTON (BIG)</b> X 4	

**STEP 1** Attach dowels x 4 to back rail (D), and attach dowels x 2 to front rail (D)



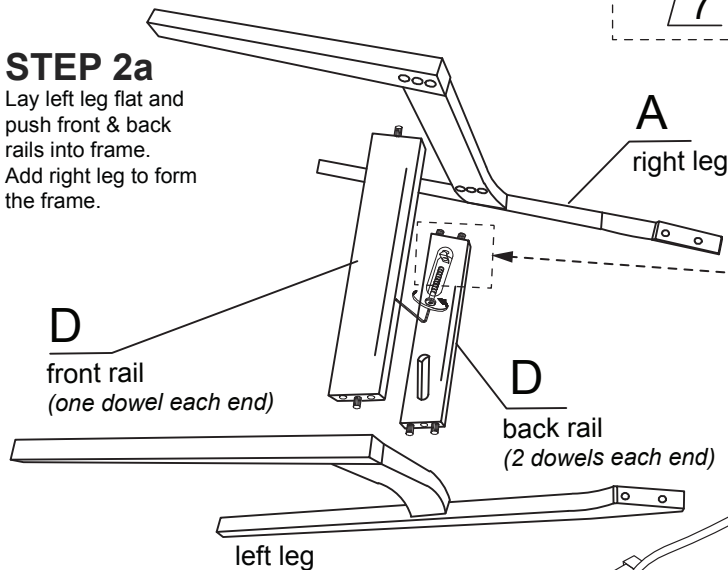
**BACK RAIL**  
attach 4 dowels

**FRONT RAIL**  
attach 2 dowels



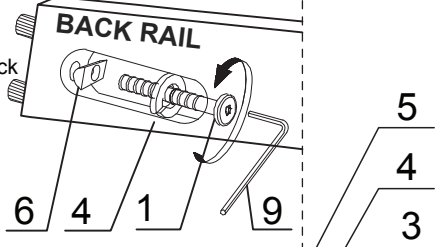
### STEP 2a

Lay left leg flat and push front & back rails into frame. Add right leg to form the frame.



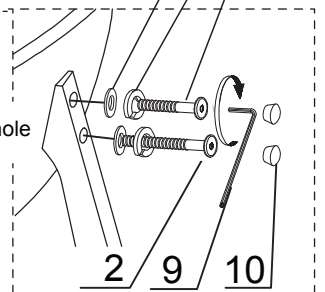
### STEP 2b

Use parts 1, 4 & 6 to secure back rail to frame.



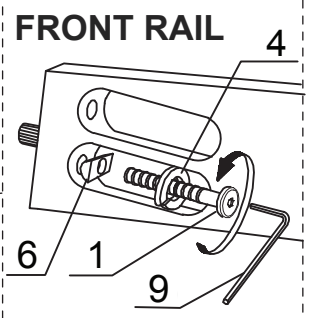
### STEP 3

Please use: No.3 screw in top hole No.2 screw for the bottom hole



### STEP 4

Use parts 1, 4 & 5 to secure front rails to frame.

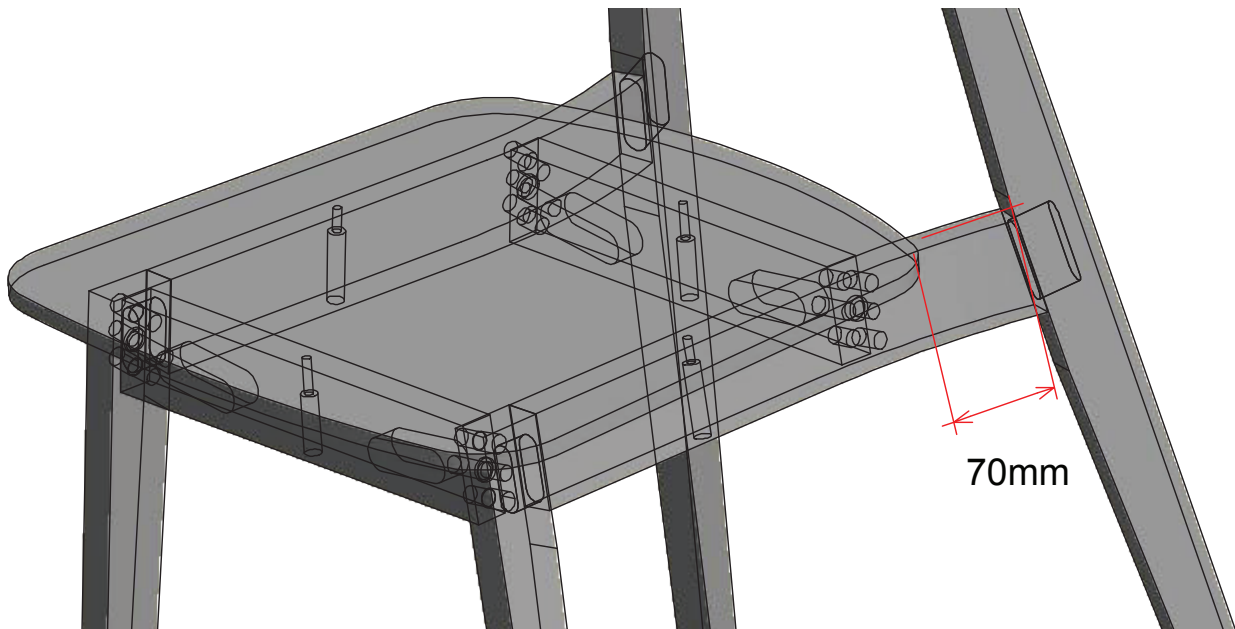
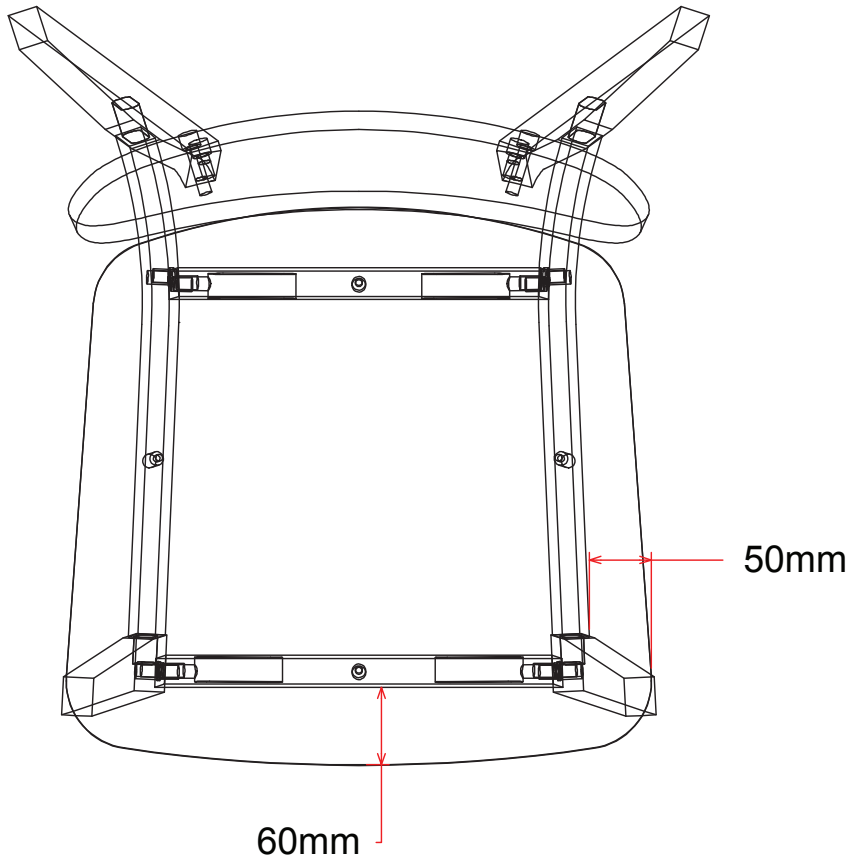
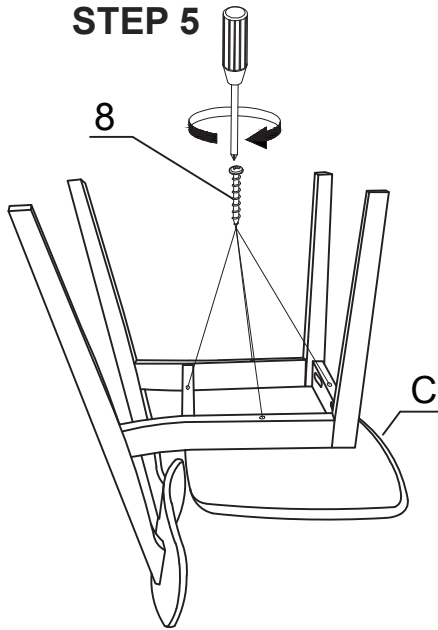


Never use power tools unless specifically instructed. They can damage your components or hardware if used incorrectly.



# Assembly Instructions Aithan Chair SEAT POSITION GUIDE

## STEP 5



Exclusively distributed in AU and NZ by Chairforce.

Thank you for your purchase. To learn more about our products please visit [www.chairforce.com.au](http://www.chairforce.com.au) and [www.chairforce.co.nz](http://www.chairforce.co.nz)

**AU:** Call: 08 9436 8570

Email: [customercare@brayco.com.au](mailto:customercare@brayco.com.au)

**NZ:** Call: 09 271 5000

Email: [sales@chairforce.co.nz](mailto:sales@chairforce.co.nz)



Please recycle  
these instructions